

PRODUCT INFORMATION PACKET

Model No: SCA2003A3133GAAD01

Catalog No: SCA2003A3133GAAD01

200kW, General Purpose Low Voltage IEC Motor, 3 phase, 6 Pole, 415V, B35, 50Hz, 95.0%, 355M Frame, TEFC
Cast Iron IE2 Efficiency Motors





Nameplate Specifications

| | | | |
|----------------------------|---------|------------------------|-----------------------------|
| Output HP | 270 Hp | Output KW | 200.0 kW |
| Frequency | 50 Hz | Voltage | 415 V |
| Current | 344.4 A | Speed | 991 rpm |
| Service Factor | 1 | Phase | 3 |
| Efficiency | 95 % | Power Factor | 0.85 |
| Duty | S1 | Insulation Class | F |
| Frame | 355M | Enclosure | Totally Enclosed Fan Cooled |
| Ambient Temperature | 50 °C | Drive End Bearing Size | 6322 |
| Opp Drive End Bearing Size | 6322 | UL | No |
| CSA | No | CE | Yes |
| IP Code | 55 | | |

Technical Specifications

| | | | |
|-----------------------|---------------|-----------------------|----------------|
| Electrical Type | Squirrel Cage | Starting Method | Direct On Line |
| Poles | 6 | Rotation | Bi-Directional |
| Mounting | B35 | Motor Orientation | Horizontal |
| Drive End Bearing | C3 | Opp Drive End Bearing | C3 |
| Frame Material | Cast Iron | Shaft Type | Keyed |
| Overall Length | 1542 mm | Frame Length | 1010 mm |
| Shaft Diameter | 95 mm | Shaft Extension | 170 mm |
| Assembly/Box Mounting | SIDE | | |
| Connection Drawing | 8442000085 | Outline Drawing | 0235502333 |

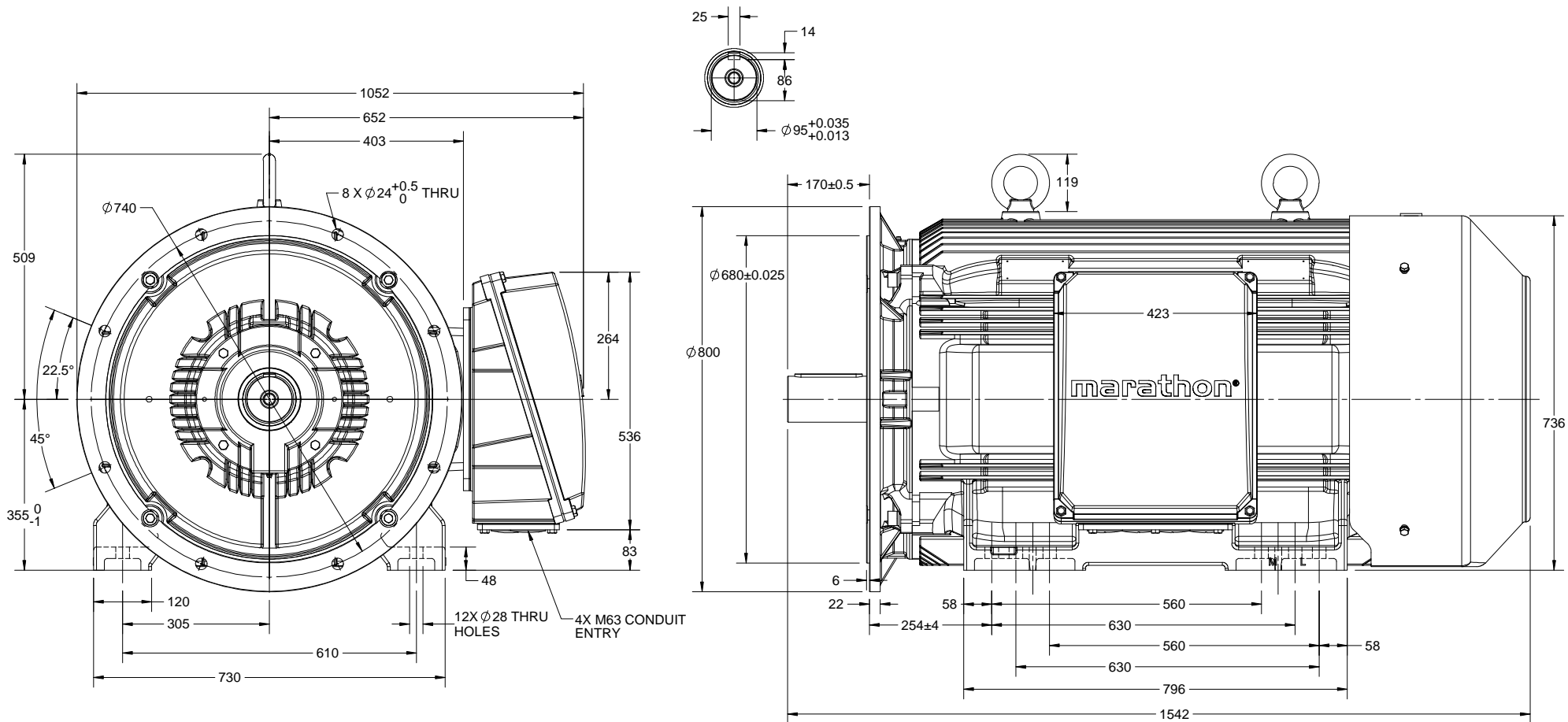
This is an uncontrolled document once printed or downloaded and is subject to change without notice. Date Created:16/01/2020

B

B

A

A



| | | |
|---|--------------------|--------------------|
| DRAWING REVISION B | REVISION BY VS | DATE 05/07/2018 |
| ECO ECO-0148344 | APPROVED BY SBD | DATE 05/07/2018 |
| ECO DESCRIPTION MODEL UPDATED | | |
| <small>COPYRIGHT REGAL BELOIT AMERICA, INC. ALL RIGHTS RESERVED. PROPRIETARY AND CONFIDENTIAL INFORMATION - THIS DOCUMENT IS THE PROPERTY OF REGAL BELOIT AMERICA, INC. ("OWNER") AND CONTAINS OWNER'S PROPRIETARY INFORMATION. ANY PERSON, CORPORATION OR OTHER FIRM RECEIVING IT IS DEEMED, BY RECEIVING IT, TO AGREE THAT IT, AND/OR ANY PART OF IT, SHALL NOT BE DISCLOSED TO ANY PERSON, CORPORATION OR OTHER ENTITY, DUPLICATED, AND/OR USED, EXCEPT AS EXPRESSLY APPROVED IN WRITING IN ADVANCE BY OWNER. THIS DOCUMENT SHALL BE RETURNED TO OWNER UPON REQUEST. IT MAY BE SUBJECT TO CERTAIN RESTRICTIONS UNDER APPLICABLE EXPORT CONTROL LAWS AND REGULATIONS.</small> | | |

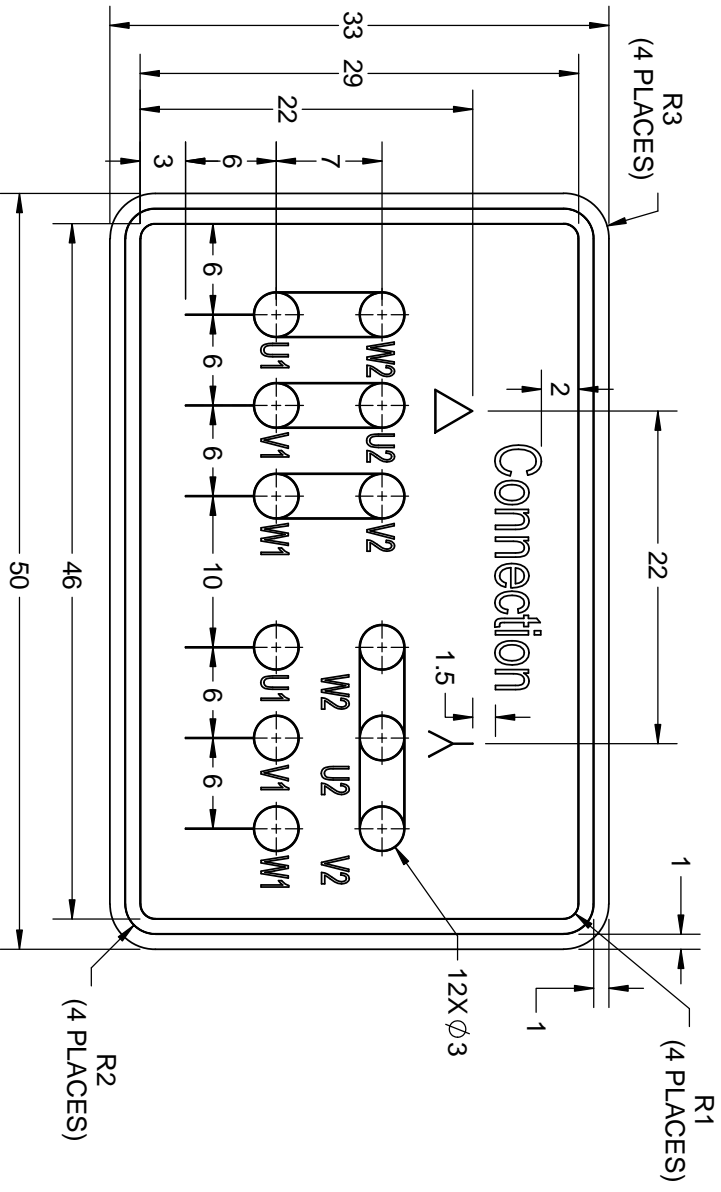
| |
|--------------------|
| DRAWN BY GSR |
| DATE 15/01/2017 |
| APPROVED BY JAY |
| DATE 15/01/2017 |
| REFERENCE |

| | |
|---|-------------------------------------|
| marathon Motors | |
| DESCRIPTION OUTLINE 355L FR-4-8P-B35 MTG. TCA/QCA-RHS TB | |
| MATERIAL | PROCESS/FINISH |
| SIZE B | DRAWING NUMBER 0235502333 |
| THIRD ANGLE PROJECTION | SHEET 1 OF 1 |

COPYRIGHT REGAL BELOIT AMERICA, INC. ALL RIGHTS RESERVED. **Unapproved Copy**
 PROPRIETARY AND CONFIDENTIAL INFORMATION - THIS DOCUMENT IS THE PROPERTY OF
 REGAL BELOIT AMERICA, INC. ("OWNER") AND CONTAINS OWNER'S PROPRIETARY
 INFORMATION. ANY PERSON, CORPORATION OR OTHER FIRM RECEIVING IT IS DEEMED
 BY RECEIVING IT TO AGREE THAT IT AND/OR ANY PART OF IT SHALL NOT BE DISCLOSED
 TO ANY PERSON, CORPORATION OR OTHER ENTITY, DUPLICATED, AND/OR USED, EXCEPT
 AS EXPRESSLY APPROVED IN WRITING IN ADVANCE BY OWNER. THIS DOCUMENT SHALL
 BE RETURNED TO OWNER UPON REQUEST. IT MAY BE SUBJECT TO CERTAIN
 RESTRICTIONS UNDER APPLICABLE EXPORT CONTROL LAWS AND REGULATIONS.


| DRAWING REVISION | REVISION BY | DATE |
|--|--------------------|--------------------|
| A | SN | 13/01/2017 |
| ECO-0116390 | APPROVED BY SBD | DATE 13/01/2017 |
| ECO DESCRIPTION NEW DRAWING RELEASE | | |

| GEOMETRIC TOLERANCE | | |
|---------------------|---------|------|
| LINEAR DIM | >0-6 | ±0.1 |
| | >6-30 | ±0.2 |
| | >30-120 | ±0.3 |



- NOTES:
1. PRESSURE-SENSITIVE ADHESIVE COATED PAPER ON THE BACK OF SELF-ADHESIVE.
 2. AT THE END OF YELLOW, WORDS, SYMBOLS, LETTERS ARE BLACK, BORDER IS BLACK.
 3. THE TOLERANCE OF THE LINEAR SIZE OF THE TOLERANCE WITHOUT THE TOLERANCE BY THE TABLE.

8WD.442.2017

| | | | |
|---------------------------------------|--------------------|--|-----------------|
| DRAWN BY SN | |  Regal Beloit America, Inc. | |
| DATE 16/12/2016 | APPROVED BY SBD | | |
| DESCRIPTION CONN DIAGRAM-NAMEPLATE | | MATERIAL | |
| DATE 16/12/2016 | REFERENCE | PROCESS/FINISH | |
| THIRD ANGLE PROJECTION | SIZE A | DRAWING NUMBER 8442000085 | SHEET 1 OF 1 |

Model No. SCA2003A3133GAAD01

| U (V) | Δ / Y Conn | f (Hz) | P | | I [A] | n [RPM] | T [Nm] | IE Class | % EFF at __load | | | | PF at __load | | | I _a /I _N [pu] | T _a /T _N [pu] | T _v /T _N [pu] |
|----------|---------------|-----------|------|------|----------|------------|-----------|-------------|-----------------|------|-------|-------|--------------|-------|-------|--|--|--|
| | | | [kW] | [hp] | | | | | 5/4FL | FL | 3/4FL | 1/2FL | FL | 3/4FL | 1/2FL | | | |
| 415 | Δ | 50 | 200 | 270 | 344.4 | 991 | 1941.2 | IE2 | - | 95.0 | 95.0 | 95.8 | 0.85 | 0.82 | 0.73 | 5.5 | 1.9 | 2.4 |

| | | | |
|----------------------------------|-----------------------------------|---|---|
| Motor type | SCA | Degree of protection | IP 55 |
| Enclosure | TEFC | Mounting type | IM B35 |
| Frame Material | Cast Iron | Cooling method | IC 411 |
| Frame size | 355M | Motor weight - approx. | 1764 kg |
| Duty | S1 | Gross weight - approx. | 1809 kg |
| Voltage variation * | ± 10% | Motor inertia | 9.9148 kgm ² |
| Frequency variation * | ± 5% | Load inertia | Customer to Provide |
| Combined variation * | 10% | Vibration level | 2.8 mm/s |
| Design | N | Noise level (1meter distance from motor) | 70 dB(A) |
| Service factor | 1.0 | No. of starts hot/cold/Equally spread | 2/3/4 |
| Insulation class | F | Starting method | DOL |
| Ambient temperature | -20 to +50 °C | Type of coupling | Direct |
| Temperature rise (by resistance) | 70 [Class B] K | LR withstand time (hot/cold) | 15/30 s |
| Altitude above sea level | 1000 meter | Direction of rotation | Bi-directional |
| Hazardous area classification | NA | Standard rotation | Clockwise form DE |
| Zone classification | NA | Paint shade | RAL 5014 |
| Gas group | NA | Accessories | |
| Temperature class | NA | Accessory - 1 | - |
| Rotor type | Aluminum Die cast | Accessory - 2 | - |
| Bearing type | Anti-friction ball | Accessory - 3 | - |
| DE / NDE bearing | 6322 C3 / 6322 C3 | Terminal box position | RHS |
| Lubrication method | Regreaseable | Maximum cable size/conduit size | 1R x 3C x 300mm ² /4 x M63 x 1.5 |
| Type of grease | Shell Gadus S5 V100 or Equivalent | Auxiliary terminal box | Available on Request |

I_a/I_N - Locked Rotor Current / Rated Current

T_v/T_N - Breakdown Torque / Rated Torque

T_a/T_N - Locked Rotor Torque / Rated Torque

NOTE

All performance values at rated voltage and frequency.

All performance parameters are subjected to standard tolerance as per IEC 60034-1

* Voltage, Frequency and combine variation are as per IEC60034-1

Technical data are subject to change. There may be discrepancies between calculated and name plate values.

| Efficiency Standards | Europe | China | India | Aus/Nz | Brazil | Global IEC |
|----------------------|--------|-------|-----------------|--------|--------|------------|
| | - | - | IS 12615 : 2018 | - | - | - |



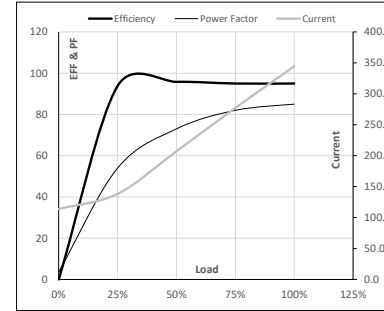
Model No. SCA2003A3133GAAD01

| Enclosure | U [V] | Δ / Y Conn | f [Hz] | P [kW] | P [hp] | I [A] | n [RPM] | T [kgm] | T [Nm] | IE Class | Amb [°C] | Duty | Elevation [m] | Inertia [kg·m ²] | Weight [kg] |
|-----------|-------|------------|--------|--------|--------|-------|---------|---------|---------|----------|----------|------|---------------|------------------------------|-------------|
| TEFC | 415 | Δ | 50 | 200 | 270 | 344.4 | 991 | 197.95 | 1941.18 | IE2 | 50 | S1 | 1000 | 9.9148 | 1764 |

Motor Load Data

| Load Point | | NL | 1/4FL | 1/2FL | 3/4FL | FL | 5/4FL |
|--------------|-------|-------|-------|-------|--------|--------|-------|
| Current | A | 113.9 | 138.3 | 207.1 | 277.3 | 344.4 | |
| Torque | Nm | 0.0 | 481.8 | 965.8 | 1452.1 | 1941.2 | |
| Speed | r/min | 1000 | 998 | 996 | 993 | 991 | |
| Efficiency | % | 0.0 | 93.8 | 95.8 | 95.0 | 95.0 | |
| Power Factor | % | 3.6 | 54.0 | 73.0 | 82.0 | 85.0 | |

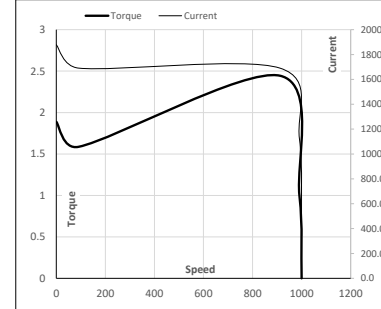
Performance vs Load Chart



Motor Speed Torque Data

| Load Point | | LR | P-Up | BD | Rated | NL |
|------------|-------|--------|--------|--------|-------|-------|
| Speed | r/min | 0 | 91 | 912 | 991 | 1000 |
| Current | A | 1878.6 | 1690.7 | 1124.1 | 344.4 | 113.9 |
| Torque | pu | 1.9 | 1.6 | 2.4 | 1 | 0 |

Starting Characteristics Chart



NOTE Refer data sheet for applicable standard and tolerances on performance parameters

Issued By
Issued Date



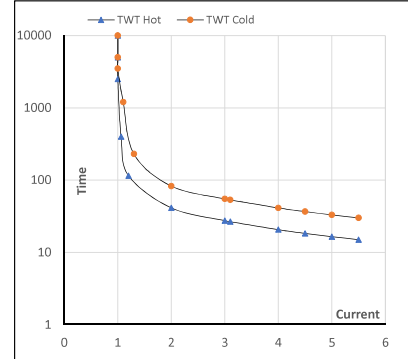
Model No. SCA2003A3133GAAD01

| Enclosure | U (V) | Δ / Y Conn | f (Hz) | P (kW) | P (hp) | I (A) | n (rpm) | T (kgm) | T (Nm) | IE Class | Amb (°C) | Duty | Elevation (m) | Inertia (kg·m ²) | Weight (kg) |
|-----------|-------|------------|--------|--------|--------|-------|---------|---------|---------|----------|----------|------|---------------|------------------------------|-------------|
| TEFC | 415 | Δ | 50 | 200 | 270 | 344.4 | 991 | 197.95 | 1941.18 | IE2 | 50 | S1 | 1000 | 9.9148 | 1764 |

Motor Speed Torque Data

| Load | FL | I ₁ | I ₂ | I ₃ | I ₄ | I ₅ | LR |
|----------|---------|----------------|----------------|----------------|----------------|----------------|--------|
| TWT Hot | s 10000 | 41 | 28 | 21 | 18 | 17 | 15 |
| TWT Cold | s 10000 | 83 | 55 | 41 | 37 | 33 | 30 |
| Current | pu | 1 | 2 | 3 | 4 | 4.5 | 5, 5.5 |

Thermal Characteristics Chart



NOTE Refer data sheet for applicable standard and tolerances on performance parameters

Issued By
Issued Date

