

PRODUCT INFORMATION PACKET

Model No: TCA0553A3121GACD01

Catalog No: TCA0553A3121GACD01

55.0 kW General Purpose Low Voltage IEC Motor, 3 phase, 1000 RPM, 415 V, 280M Frame, TEFC
Cast Iron IE3 Efficiency Motors





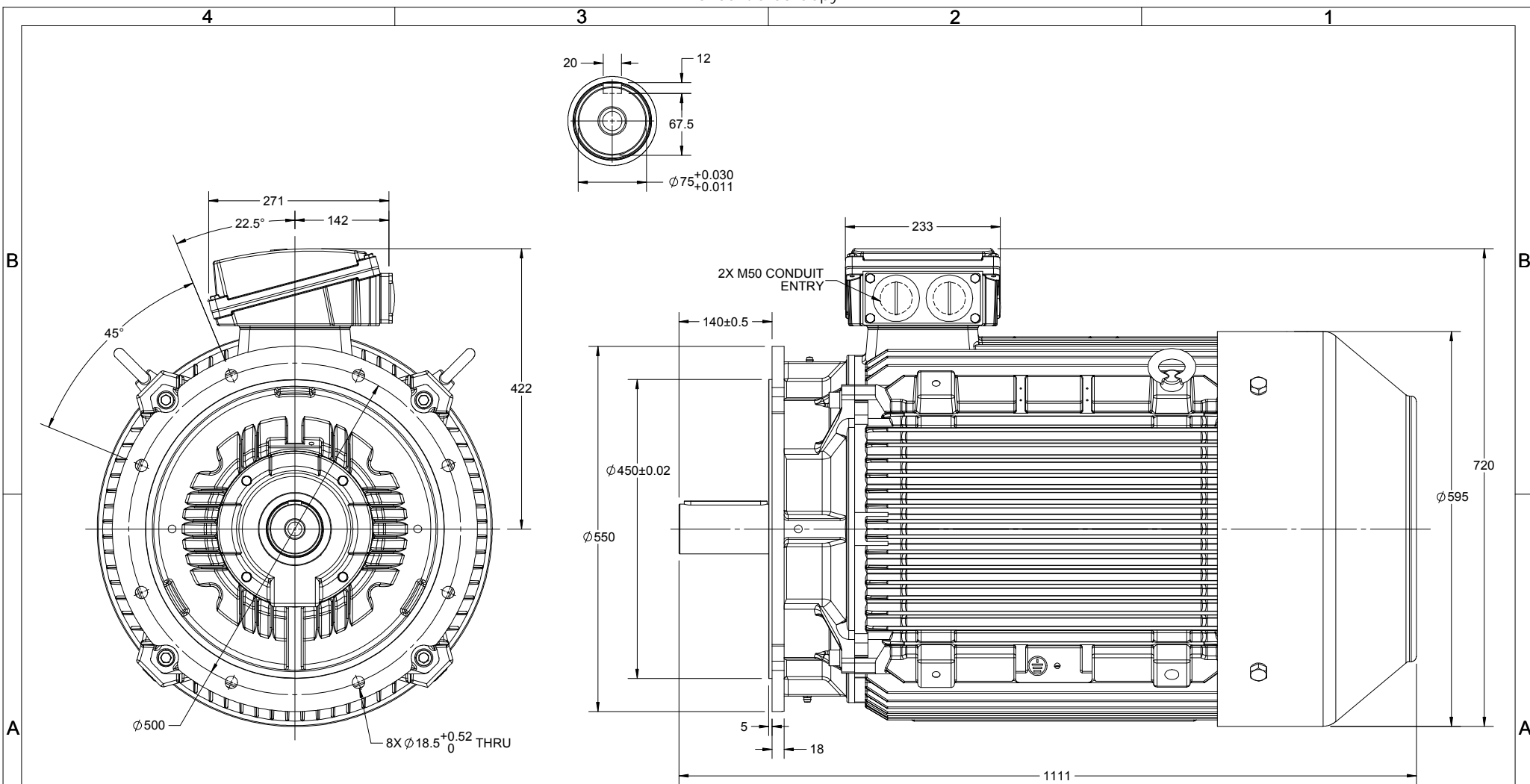
Nameplate Specifications

Output HP	75 Hp	Output KW	55.0 kW
Frequency	50 Hz	Voltage	415 V
Current	98.0 A	Speed	989 rpm
Service Factor	1	Phase	3
Efficiency	94.1 %	Power Factor	0.83
Duty	S1	Insulation Class	F
Frame	280M	Enclosure	Totally Enclosed Fan Cooled
Ambient Temperature	50 °C	Drive End Bearing Size	6317
Opp Drive End Bearing Size	6317	UL	No
CSA	No	CE	Yes
IP Code	55		

Technical Specifications

Electrical Type	Squirrel Cage	Starting Method	Direct On Line
Poles	6	Rotation	Bi-Directional
Mounting	B5	Motor Orientation	Horizontal
Drive End Bearing	C3	Opp Drive End Bearing	C3
Frame Material	Cast Iron	Shaft Type	Keyed
Overall Length	1111 mm	Frame Length	600 mm
Shaft Diameter	75 mm	Shaft Extension	140 mm
Assembly/Box Mounting	Top		
Outline Drawing	0228000591	Connection Drawing	8442000085

This is an uncontrolled document once printed or downloaded and is subject to change without notice. Date Created:06/01/2020

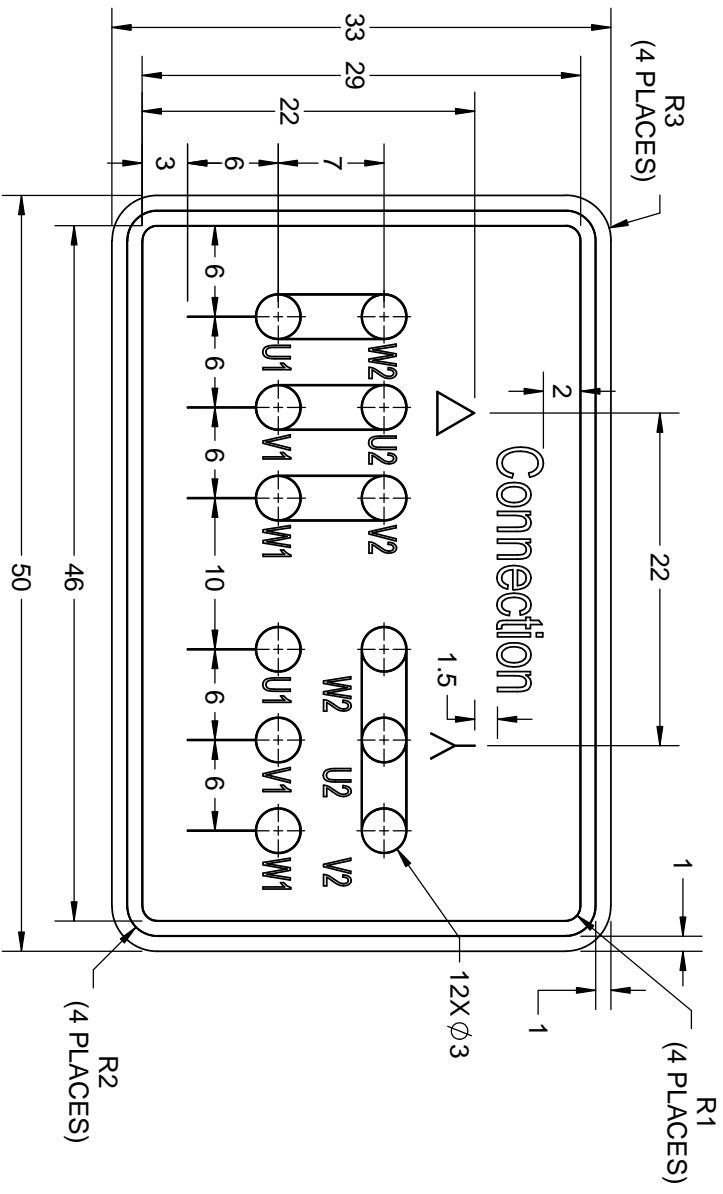


DRAWING REVISION C	REVISION BY LK	DATE 18/04/2019	X	DRAWN BY JOY	marathon Motors	
ECO ECO-0165600	APPROVED BY SR	DATE 18/04/2019		DATE 18/07/2014		
ECO DESCRIPTION UPDATED MODEL AS PER NEW 3D STRUCTURE <small>COPYRIGHT REGAL BELOIT AMERICA, INC. ALL RIGHTS RESERVED. PROPRIETARY AND CONFIDENTIAL INFORMATION - THIS DOCUMENT IS THE PROPERTY OF REGAL BELOIT AMERICA, INC. (OWNER) AND CONTAINS OWNERS PROPRIETARY INFORMATION. ANY PERSON, CORPORATION OR OTHER FIRM RECEIVING IT IS DEEMED, BY RECEIVING IT, TO AGREE THAT IT, AND/OR ANY PART OF IT, SHALL NOT BE DISCLOSED TO ANY PERSON, CORPORATION OR OTHER ENTITY, DUPLICATED, AND/OR USED, EXCEPT AS EXPRESSLY APPROVED IN WRITING IN ADVANCE BY OWNER. THIS DOCUMENT SHALL BE RETURNED TO OWNER UPON REQUEST. IT MAY BE SUBJECT TO CERTAIN RESTRICTIONS UNDER APPLICABLE EXPORT CONTROL LAWS AND REGULATIONS.</small>				APPROVED BY SBD		DESCRIPTION OUTLINE 280M-4P-B5 MTG. MOTOR TYPE: TCA
			DATE 18/07/2014	REFERENCE	MATERIAL	PROCESS/FINISH
			THIRD ANGLE PROJECTION	SIZE B	DRAWING NUMBER 0228000591	SHEET 1 OF 1

COPYRIGHT REGAL BELOIT AMERICA, INC. ALL RIGHTS RESERVED. ~~Unapproved Copy~~
 PROPRIETARY AND CONFIDENTIAL INFORMATION - THIS DOCUMENT IS THE PROPERTY OF
 REGAL BELOIT AMERICA, INC. ("OWNER") AND CONTAINS OWNER'S PROPRIETARY
 INFORMATION. ANY PERSON, CORPORATION OR OTHER FIRM RECEIVING IT IS DEEMED
 BY RECEIVING IT TO AGREE THAT IT AND/OR ANY PART OF IT SHALL NOT BE DISCLOSED
 TO ANY PERSON, CORPORATION OR OTHER ENTITY, DUPLICATED, AND/OR USED, EXCEPT
 AS EXPRESSLY APPROVED IN WRITING IN ADVANCE BY OWNER. THIS DOCUMENT SHALL
 BE RETURNED TO OWNER UPON REQUEST. IT MAY BE SUBJECT TO CERTAIN
 RESTRICTIONS UNDER APPLICABLE EXPORT CONTROL LAWS AND REGULATIONS.

DRAWING REVISION	REVISION BY	DATE
A	SN	13/01/2017
ECO-0116390	APPROVED BY SBD	DATE 13/01/2017
ECO DESCRIPTION NEW DRAWING RELEASE		

GEOMETRIC TOLERANCE		
LINEAR DIM	>0-6	±0.1
	>6-30	±0.2
	>30-120	±0.3



- NOTES:
1. PRESSURE-SENSITIVE ADHESIVE COATED PAPER ON THE BACK OF SELF-ADHESIVE.
 2. AT THE END OF YELLOW, WORDS, SYMBOLS, LETTERS ARE BLACK, BORDER IS BLACK.
 3. THE TOLERANCE OF THE LINEAR SIZE OF THE TOLERANCE WITHOUT THE TOLERANCE BY THE TABLE.

8WD.442.2017

DRAWN BY SN		REGAL TM Regal Beloit America, Inc.		
DATE 16/12/2016				
APPROVED BY SBD		DESCRIPTION CONN DIAGRAM-NAMEPLATE		
DATE 16/12/2016				
REFERENCE				
THIRD ANGLE PROJECTION	SIZE A	DRAWING NUMBER 8442000085	PROCESS/FINISH	SHEET 1 OF 1



Model No. TCA0553A3121GACD01

U (V)	Δ / Y Conn	f (Hz)	P		I [A]	n [RPM]	T [Nm]	IE Class	% EFF at __ load				PF at __ load			I _L /I _N [pu]	T _M /T _N [pu]	T _L /T _N [pu]
			[kW]	[hp]					5/4FL	FL	3/4FL	1/2FL	FL	3/4FL	1/2FL			
415	Δ	50	55	75	98.0	989	540.36	IE3	-	94.1	94.1	93.8	0.83	0.79	0.69	6	1.9	2.5

Motor type	TCA	Degree of protection	IP 55
Enclosure	TEFC	Mounting type	IM B5
Frame Material	Cast Iron	Cooling method	IC 411
Frame size	280M	Motor weight - approx.	694 kg
Duty	S1	Gross weight - approx.	729 kg
Voltage variation *	± 10%	Motor inertia	2.6734 kgm ²
Frequency variation *	± 5%	Load inertia	Customer to Provide
Combined variation *	10%	Vibration level	2.2 mm/s
Design	N	Noise level (1meter distance from motor)	66 dB(A)
Service factor	1.0	No. of starts hot/cold/Equally spread	2/3/4
Insulation class	F	Starting method	DOL
Ambient temperature	-20 to +50 °C	Type of coupling	Direct
Temperature rise (by resistance)	70 [Class B] K	LR withstand time (hot/cold)	15/30 s
Altitude above sea level	1000 meter	Direction of rotation	Bi-directional
Hazardous area classification	NA	Standard rotation	Clockwise form DE
Zone classification	NA	Paint shade	RAL 5014
Gas group	NA	Accessories	
Temperature class	NA	Accessory - 1	-
Rotor type	Aluminum Die cast	Accessory - 2	-
Bearing type	Anti-friction ball bearing	Accessory - 3	-
DE / NDE bearing	6317 C3 / 6317 C3	Terminal box position	TOP
Lubrication method	Regreasable	Maximum cable size/conduit size	1R x 3C x 95mm ² /2 x M50 x 1.5
Type of grease	Shell Gadus S5 V100 or Equivalent	Auxiliary terminal box	NA

I_L/I_N - Locked Rotor Current / Rated Current

T_M/T_N - Breakdown Torque / Rated Torque

T_L/T_N - Locked Rotor Torque / Rated Torque

NOTE

All performance values at rated voltage and frequency.

All performance parameters are subjected to standard tolerance as per IEC 60034-1

* Voltage, Frequency and combine variation are as per IEC60034-1

Technical data are subject to change. There may be discrepancies between calculated and name plate values.

Efficiency Standards	Europe	China	India	Aus/Nz	Brazil	Global IEC
	-	-	IS 12615 : 2018	-	-	-



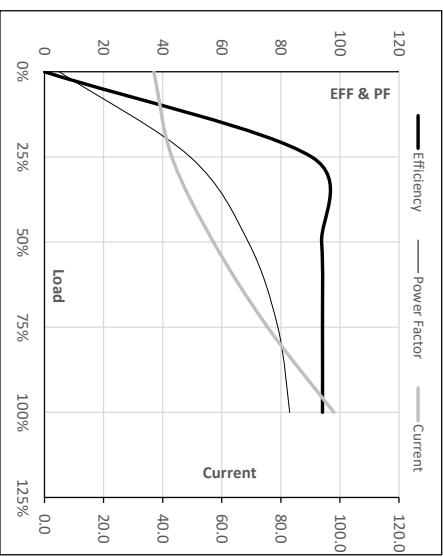
Model No. TCA0553A3121GA CD01

Enclosure	U (V)	Δ/Y Conn	f (Hz)	P (kW)	P (hp)	I (A)	n (RPM)	T (kgm)	T (Nm)	IE Class	Amb Temp (°C)	Duty	Elevation (m)	Inertia (kg·m ²)	Weight (kg)
TFC	415	Δ	50	55	75	98.0	989	55.10	540.36	IE3	50	S1	1000	2.6734	694

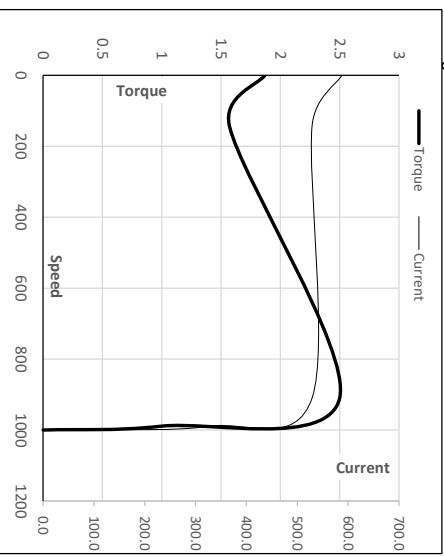
Motor Load Data

Load Point	NL	1/4FL	1/2FL	3/4FL	FL	5/4FL
Current	A	37.0	43.1	57.2	75.5	98.0
Torque	Nm	0.0	132.1	265.0	398.6	540.4
Speed	r/min	1000	997	995	992	989
Efficiency	%	0.0	90.4	93.8	94.1	94.1
Power Factor	%	5.0	49.3	69.0	79.0	83.0

Performance vs Load Chart



Starting Characteristics Chart



Motor Speed Torque Data

Load Point	LR	P-Up	BD	Rated	NL	
Speed	r/min	0	143	910	989	1000
Current	A	587.8	529.0	328.6	98.0	37.0
Torque	pu	1.9	1.6	2.5	1	0

NOTE Refer data sheet for applicable standard and tolerances on performance parameters

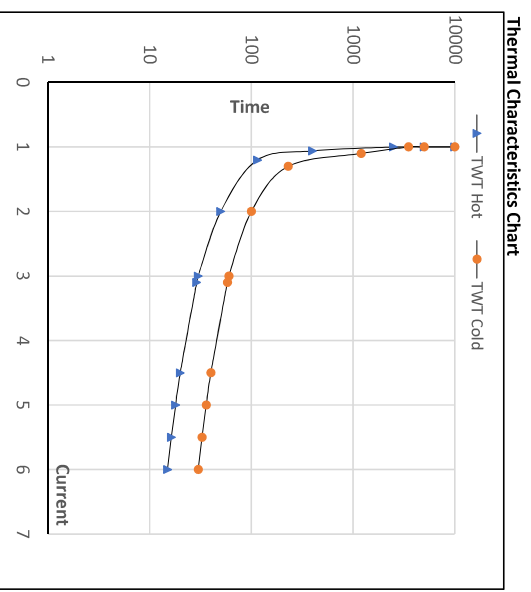
Issued By
Issued Date

Model No. TCA0553A3121GACD01

Enclosure	U	Δ/Y	f	P	P	I	n	T	T	IE	Amb	Duty	Elevation	Inertia	Weight
(V)	415	Δ	50	[kW]	[hp]	[A]	[rpm]	[kgm]	[Nm]	Class	[°C]	S1	[m]	[kg·m ²]	[kg]
TEFC				55	75	98.0	989	55.06	540.36	IE3	50	S1	1000	2.6734	694

Motor Speed Torque Data

Load	FL	I ₁	I ₂	I ₃	I ₄	I ₅	LR	
TWT Hot	s	10000	50	30	25	18	16	15
TWT Cold	s	10000	100	60	55	36	33	30
Current	pu	1	2	3	4	5	5.5	6



NOTE Refer data sheet for applicable standard and tolerances on performance parameters

Issued By
Issued Date

